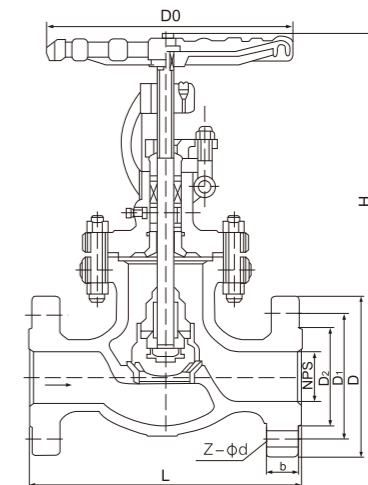




### 截止阀系列 Globe Valves Series



#### 产品执行标准 Production enforce standard

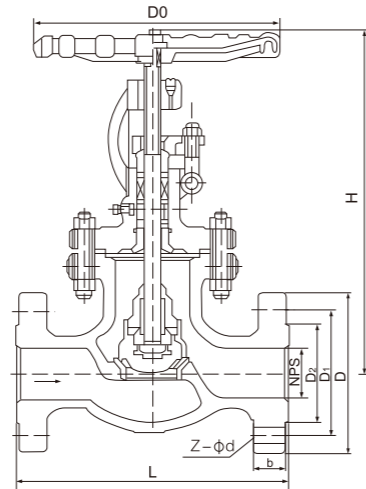
设计与制造 Desing And Manufacture	结构长度 Face to face/ End to end	法兰尺寸 Flang Dimension	对焊连接尺寸 Butt welding dimension	压力~温度 Pressure Temperature Lating	试验~检验 Inspection and test
ANSI B16.34、BS1873	ANSI B16.10	ANSI B16.5	ANSI B16.25	ANSI B16.34	API 598

#### 产品性能规范 Chief property and specification

公称压力(Lb) Nominal Pressore	强度试验Shell test		水密封试验Waetr seal test		气密封试验Air seal test	
	Mpa	Lbf/in <sup>2</sup>	Mpa	Lbf/in <sup>2</sup>	Mpa	Lbf/in <sup>2</sup>
150	3.1	450	2.2	315	0.5~0.7	60~100
300	7.8	1125	5.6	815		
600	15.3	2225	11.2	1630		
900	23.1	3350	16.8	2440		
1500	38.4	5575	28.1	4080		
2500	64.6	9367	47.4	6873		

#### 主要零件材料 Material for main parts

体、盖、瓣 Body Cover disc	阀杆 Stem	密封面 Sealing Face	垫片(环) Sealing shim	填料 Packing	工作温度(°C) Working temperature	适用介质 Suitable medium
WCB	2Cr13	13Cr STL 本体材料 With bodymater ria PTFE 尼龙 Nylon	增强柔性石墨 13Cr/柔性石墨 Enhanced Flexible graphite 1Cr13/Flexible graphite SFB-2 08软纲 08Soft steel F304 F316 F304L F316L	柔性石墨 增强柔性石墨 Flesible graphite enhanced flexible graphite SFB/260 SFP/260 PTFE	≤425	水、蒸气、油品 Water Steam Petroleum Products
WC1	38CrMoAl 25Cr2Mov				≤450	
WC6					≤540	
WC9					≤570	
C5 C12					≤540	
CF8	F304				≤600	硝酸、醋酸、尿素 Nitric acid Aceic acid
CF3	F316					
CF8M	F304L					
CF3M	F316L					



**主要外形和连接尺寸 Main External and Connection Dimension**

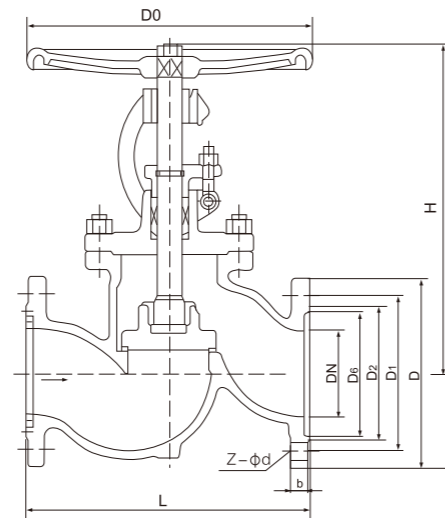
磅级 Class	规格 Size	L	D	t	G	C	n-Φd	W	H	WT (Kg)	
150LB	1/2"	mm	108	98	12	35	60.5	4-15	125	169	3.8
		in	4.25	3.5	0.47	1.38	2.38	4-0.59	4.92	6.65	
	3/4"	mm	117	98	12	43	70	4-15	125	180	4.2
		in	4.61	3.86	0.47	1.69	2.76	4-0.59	4.92	7.08	
	1"	mm	127	108	12	51	79.5	4-15	125	190	8
		in	5	4.25	0.47	2	3.13	4-0.59	4.92	7.48	
	1 1/2"	mm	165	127	14.3	73	98.5	4-16	180	347	13
		in	6.5	5	0.56	2.87	3.88	4-0.62	7.09	13.66	
	2"	mm	203	152	15.9	92	120.5	4-19	180	356	21
		in	8.00	6.00	0.625	3.62	4.75	4-0.75	7.09	14	
	2 1/2"	mm	216	178	17.5	105	139.5	4-19	240	381	30
		in	8.5	7	0.69	4.12	5.50	4-0.75	9.45	15.00	
	3"	mm	241	190	19.1	127	152.4	4-19	280	13	41
		in	9.5	7.50	0.75	5	6	4-0.75	11.02	16.25	
	4"	mm	292	229	24	157	190.5	8-19	280	500	64
		in	11.50	9.00	0.94	6.19	7.5	8-0.75	11.02	19.68	
6"	mm	406	279	25.4	216	241.5	8-22	360	656	113	
	in	16	11.0	1.00	8.5	9.50	8-0.88	14.17	22.25		
8"	mm	495	343	29	270	298.5	8-22	450	660	190	
	in	19.5	13.5	1.12	10.62	11.75	8-0.88	17.75	26.00		

**主要外形和连接尺寸 Main External and Connection Dimension**

磅级 Class	规格 Size	L	D	t	G	C	n-Φd	W	H	WT (Kg)	
300Lb	1/2"	mm	152	95	15	35	66.5	4-15	125	190	4.5
		in	5.98	3.74	0.95	1.38	2.62	4-0.59	4.92	7.84	
	3/4"	mm	178	117	16	43	82.5	4-19	125	212	8
		in	7	4.61	0.62	1.69	3.25	4-0.75	4.92	8.35	
	1"	mm	203	124	18	51	89	4-19	160	231	10
		in	8	4.9	0.71	2	3.50	4-0.75	6.2	9.1	
	1 1/2"	mm	229	156	20.7	73	114.5	4-22	200	391	18.5
		in	9	6.12	0.81	2.87	4.51	4-0.87	8	15.43	
	2"	mm	267	165	22	92	127	8-19	200	406	37
		in	105	6.5	0.88	3.62	5	8-0.75	7.87	16.00	
	2 1/2"	mm	292	190	25	105	149	8-22	240	457	50
		in	11.5	7.50	1.00	4.12	5.88	8-0.88	9.45	18.00	
	3"	mm	318	210	29	127	168.5	8-22	280	470	61
		in	12.50	8.25	1.12	5	6.62	8-0.88	11.02	18.50	
	4"	mm	356	245	32	157	200	8-22	320	590	99
		in	14.00	10.00	1.25	6.19	7.88	8-0.88	12.60	23.23	
6"	mm	444	318	37	216	270	12-22	500	711	176	
	in	17.50	12.50	1.44	8.5	10.62	12-0.88	19.68	28.00		
8"	mm	559	381	41	270	330	12-25	500	750	333	
	in	22.0	15	1.62	10.62	13.00	12-100	19.68	29.50		

**主要外形和连接尺寸 Main External and Connection Dimension**

磅级 Class	规格 Size	L	D	t	G	C	n-Φd	W	H	WT (Kg)	
600Lb	1/2"	mm	165	95	15	35	66.5	4-15	160	285	6
		in	6.5	3.74	0.59	1.38	2.62	4-0.59	6.2	11.22	
	3/4"	mm	190	117.5	16	43	82.5	4-19	160	285	9
		in	7.48	4.61	0.62	1.69	3.25	4-0.75	6.2	11.22	
	1"	mm	216	124	18	51	89	4-19	160	313	12
		in	8.5	4.9	0.71	2	3.5	4-0.75	6.2	12.32	
	1 1/2"	mm	241	156	23	73	114.5	4-22	240	365	22
		in	9.5	6.12	0.91	2.87	4.51	4-0.88	9.45	14.17	
	2"	mm	292	165	25	92	127	8-19	240	444	39
		in	11.50	6.50	1.00	3.62	5.00	8-0.75	9.45	17.50	
	2 1/2"	mm	330	190	29	105	149	8-22	240	483	50
		in	13	7.50	1.12	4.12	5.88	8-0.88	9.45	19	
	3"	mm	356	210	32	127	168	8-22	280	533	68
		in	14.00	8.25	1.25	5	6.62	8-0.88	11.02	21	
	4"	mm	406	273	38.1	157	216	8-25	360	622	120
		in	16.00	10.75	1.5	6.19	8.5	8-1.00	14.17	24.50	
6"	mm	459	356	47.7	216	292	12-29	500	800	220	
	in	19.50	14	1.88	8.5	11.5	12-1.14	19.68	31.50		
8"	mm	597	419	55.6	270	349	12-32	550	927	450	
	in	23.50	16.5	2.19	10.62	13.75	12-1.25	21.65	36.50		



产品执行标准 Production enforce standard

产品规范 Product Specification	设计规范 Design Spec	结构长度 Face to Face	连接法兰 Flange End	试验与检验 Test Check	压力-温度 Pressure-Temp	产品标识 Marking	供货规范 Supply
	GB/T12235	GB/T12221	JB/T79	JB/T9092	GB/T9131	GB/T12220	JB/T7928

产品性能规范 Chief property and specification

1、试验压力 Test pressure

公称压力 (Lb) Nominal Pressore	1.6	2.5	4.0	6.4	10.0	16.0
壳体强度试验 Shell strength test	2.4	3.8	6.0	9.6	15	24
上密封试验 Back seal test	1.8	2.8	4.4	7.0	11	18
密封试验 Seal test	1.8	2.8	4.4	7.0	11	18

2、适用介质及适用温度 Applicable medium & Applicable temperature

产品类型 Product type	适用介质 Applicable medium	适用温度℃ Applicable temperature
J41Y-C型 J941Y-C型	水、油品、蒸气 Water, oil, steam	≤425 ≤450
J41W-P型 J941W-P型	硝酸类 Nitric acid	≤200
J41W-R型	盐酸类 Hydrochloric acid	≤200
J41Y-I型 J941Y-I型	水、油品、蒸气 Water, oil, steam	≤550

主要零件材料 Material for main parts

产品名称 Product type	零件名称 Part name							
	阀体、阀盖 Body bonnte	阀杆 Stem	阀瓣 Sealing face	密封面 sealingface	阀杆螺母 Yoke nut	填料 Packig	紧固件 Fastener	手轮 Hand wheel
J41Y-C型 J941Y-C型	2.5WCB	铬不锈钢 Cr.Stainless steel	2Cr13 25	H: 不锈钢Y; 钴基硬质合金 H:Stainless steel Y:Co-based carbide alloy steel	铝青铜 Al bronze	柔性石墨 Flexibile graphite	优质碳钢 High-grade carbon steel	可锻铸铁 Foraeable cast-iron
J41W-P型 J941W-P型	铬镍钛钢 Cr,Ni,Ti steel	铬镍钛钢 Cr,Ni,Ti steel	铬镍钛钢 Cr,Ni,Ti steel	铬镍钛钢 Cr,Ni,Ti steel	铝青铜 Al bronze	柔性石墨 Flexibile graphite	不锈钢 Stainless steel	可锻铸铁 Foraeable cast-iron
J41W-R型	铬镍钼钛钢 Cr,Ni,Mo,Ti steel	铬镍钼钛钢 Cr,Ni,Mo,Ti steel	铬镍钼钛钢 Cr,Ni,Mo,Ti steel	铬镍钼钛钢 Cr,Ni,Mo,Ti steel	铝青铜 Al bronze	柔性石墨 Flexibile graphite	不锈钢 Stainless steel	可锻铸铁 Foraeable cast-iron
J41Y-I型 J941Y-I型	铬钼钢 Cr,Mo steel	铬钼钢 Cr,Mo steel	合金钢 Alloy steel	钴基硬质合金钢 Co-based carbide alloy steel	铝青铜 Al bronze	柔性石墨 Flexibile graphite	合金钢 Alloy steel	可锻铸铁 Foraeable cast-iron

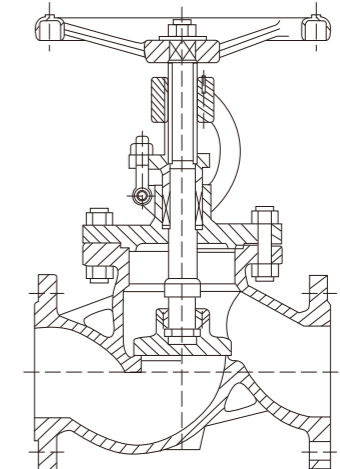
主要外形和连接尺寸 Main External and Connection Dimension

公称通径 DN	主要外形尺寸和连接尺寸 (mm) Main external and connecting dimensions										电动装置 Electric dewice	WT(Kg)	
	L	D	D1	D2	b	f	Z-d	H手	H电	D0		手动 Hand	电动 Electric
	J41Y <sup>H</sup> -25 J41W-25P J41W-25R J41Y-25I J941Y <sup>H</sup> -25 J941W-25P J941W-25R J941Y-251I												
10	130	90	60	40	16	2	4-14	198	-	120	-	4.9	-
15	130	95	65	45	16	2	4-14	218	-	120	-	5.4	-
20	150	105	75	55	16	2	4-14	258	-	140	-	7	-
25	160	115	85	65	16	2	4-14	275	-	160	-	7.4	-
32	180	135	100	78	18	2	4-18	280	-	180	-	8.5	-
40	200	145	110	85	18	3	4-18	330	-	200	-	12.5	-
50	230	160	125	100	20	3	4-18	350	645	240	DZW101	16	50
65	290	180	145	120	22	3	8-18	400	690	280	DZW101	25	62
80	310	195	160	135	22	3	8-18	355	715	280	DZW151	30	67
100	350	230	190	160	24	3	8-23	415	770	320	DZW20	34.5	73
125	400	270	220	188	28	3	8-25	460	780	360	DZW30	89	127
150	480	300	250	218	30	3	8-25	510	875	400	DZW45	98	215
200	600	360	310	278	34	3	12-25	710	967	400	DZW60	180	322
250	650	425	370	332	36	3	12-30	786	-	450	-	446	-
300	750	485	430	390	40	4	12-30	925	-	500	-	654	-

公称通径 DN	主要外形尺寸和连接尺寸 (mm) Main external and connecting dimensions												电动装置 Electric dewice	WT(Kg)	
	L	D	D1	D2	D6	b	f	f2	Z-d	H手	H电	D0		手动 Hand	电动 Electric
	J41Y <sup>H</sup> -40 J41W-40P J41W-40R J41Y-40I J941Y <sup>H</sup> -40 J941W-40P J941W-40R J941Y-40I														
10	130	90	60	40	35	16	2	4	4-14	198	-	120	-	4.9	-
15	130	95	65	45	40	16	2	4	4-14	233	-	120	-	5.4	-
20	150	105	75	55	51	16	2	4	4-14	275	-	140	-	7	-
25	160	115	85	65	58	16	2	4	4-14	285	-	160	-	8.8	-
32	180	135	100	78	66	18	2	4	4-18	302	-	180	-	11.8	-
40	200	145	110	85	76	18	3	4	4-18	355	-	200	-	16.5	-
50	230	160	125	100	88	20	3	4	4-18	373	645	240	DZW101	24	61
65	290	180	145	120	110	22	3	4	8-18	408	690	280	DZW101	33	75
80	310	195	160	135	121	22	3	4	8-18	436	715	320	DZW201	44	84
100	350	230	190	160	150	24	3	4.5	8-23	480	770	360	DZW301	60	101
125	400	270	220	188	176	28	3	4.5	8-25	558	782	400	DZW45	89	207
150	480	300	250	218	204	30	3	4.5	8-25	611	875	400	DZW60	98	226
200	600	375	320	282	260	38	3	4.5	12-30	720	1160	400	DZW901	190	339

**主要外形和连接尺寸 Main External and Connection Dimension**

公称通径 DN	主要外形尺寸和连接尺寸 (mm) Main external and connecting dimensions												电动装置 Electric device		WT(Kg)	
	L	D	D1	D2	D6	b	f	f <sub>2</sub>	Z-d	H手	H电	D0	手动 Hand	电动 Electric		
J41 <sup>H</sup> -64 J941 <sup>H</sup> -64 J41Y-64I J941Y-64I																
10	170	100	70	50	35	18	2	4	4-14	198	-	120	-	5.7	-	
15	170	105	75	55	41	18	2	4	4-14	195	-	140	-	10	-	
20	190	125	90	68	51	20	2	4	4-18	228	-	160	-	13	-	
25	210	135	100	78	58	22	2	4	4-18	275	-	180	-	14.5	-	
32	230	150	110	82	66	24	2	4	4-23	325	-	200	-	19	-	
40	260	165	125	95	76	24	3	4	4-23	360	-	240	-	25	-	
50	300	175	135	105	88	26	3	4	8-23	410	710	280	DZW10	35	64	
65	340	200	160	130	110	28	3	4	8-23	450	750	320	DZW15	48	77	
80	380	210	170	140	121	30	3	4	8-23	485	785	360	DZW30	56	88	
100	430	250	200	168	150	32	3	4	8-25	537	837	400	DZW45	125	171	
125	500	295	240	202	176	26	3	4	8-30	631	-	400	-	131	-	
150	550	340	280	240	204	38	3	4	8-34	646	-	450	-	157	-	
200	650	405	345	300	260	44	3	4	12-34	813	-	500	-	283	-	
J41 <sup>H</sup> -100 J941 <sup>H</sup> -100 J41Y-100I J941Y-100I																
10	170	100	70	50	35	20	2	4	4-14	198	-	120	-	6	-	
15	170	105	75	55	40	20	2	4	4-14	202	-	140	-	11	-	
20	190	125	90	68	51	22	2	4	4-18	228	-	160	-	13.2	-	
25	210	135	100	78	58	24	2	4	4-18	250	-	180	-	14	-	
32	230	150	110	82	66	24	2	4	4-23	326	-	220	-	15	-	
40	260	165	125	95	76	26	3	4	4-23	359	-	240	-	29	-	
50	300	195	145	112	88	28	3	4	4-25	414	710	280	DZW15	49	82	
65	340	220	170	138	110	32	3	4	8-25	434	750	320	DZW20I	65	104	
80	380	230	180	148	121	34	3	4	8-25	547	785	400	DZW30	95	138	
100	430	265	210	172	150	38	3	4.5	8-30	621	837	450	DZW45	115	243	
125	500	310	250	210	176	42	3	4.5	8-34	732	-	450	-	149	-	
150	550	350	290	250	204	46	3	4.5	12-34	840	-	500	-	310	-	
200	650	430	360	312	260	54	3	4.5	12-41	925	-	550	-	590	-	
J41 <sup>H</sup> -160																
15	170	110	75	52	40	24	2	4	4-18	148	-	140	-	12.2	-	
20	190	130	90	65	51	26	2	4	4-23	156	-	160	-	15	-	
25	210	140	100	72	58	28	2	4	4-23	125	-	180	-	17	-	
32	230	165	115	85	66	30	2	4	4-25	200	-	200	-	21.4	-	
40	260	175	125	92	76	32	3	4	4-27	231	-	240	-	32	-	
50	300	215	165	132	88	36	3	4	8-25	262	-	250	-	52	-	
65	340	245	190	152	110	44	3	4	8-30	303	-	320	-	69	-	
80	380	260	205	168	121	46	3	4	8-30	341	-	400	-	98	-	
100	430	300	240	200	150	48	3	4.5	8-34	485	-	450	-	119	-	



**产品执行标准 Production enforce standard**

结构形式 Structural formation	BB-BG-OS & Y
驱动方式 Driving maner	手动 Hand-operated
	电动 Electric-actuated
设计标准 Design standard	DIN3356
结构长度 Face to face	DIN3202
连接法兰 Flange ends	DIN2543-2545
实验和检验 Test & inspection	DIN3230

注:系列阀门连接法兰可根据用户要求设计制造。

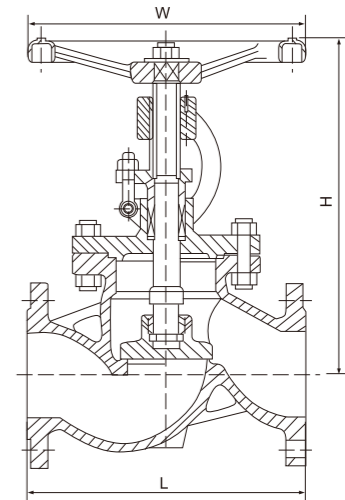
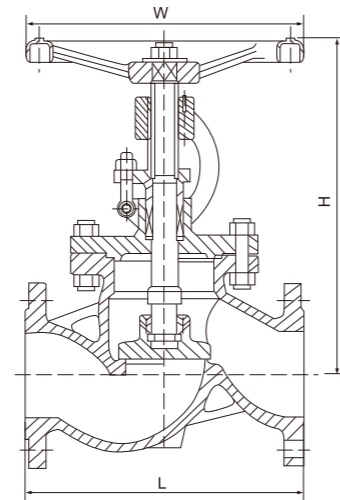
Notes: The size of serial, valve connecting flange can design according to customer's requirement.

**产品性能规范 Chief property and specification**

公称压力(MPa) Nominal pressure	壳体试验压力(MPa) Shell test	密封试验压力(MPa) Sealing test	适用温度(°C) Suitable temp	适用介质 Applicable medium
1.6	2.4	1.76	-110~600°C	水、蒸汽、油品等 Water oil & gas
2.5	3.75	2.75		
4.0	6.0	4.4		
6.4	9.6	7.04		

**主要零部件材料 Main Part Material**

壳体 Body	GS-C25							1.4308			
阀瓣 Disc	GS-C25			1.4308	1.4408	Monel	1.4308				
阀杆 Stem	13Cr			1.4308	1.4408	Monel	1.4308				
阀瓣密封面 Wedge disc sealing face	13Cr	13Cr	STL	1.4308	STL	1.4408	STL	Monel	1.4308	1.4308	STL
阀座密封面 Seat ting sealing face	13Cr	STL	STL	1.4308	STL	1.4408	STL	Monel	1.4308	STL	STL
壳体 Body	1.4408			1.4306			1.4301				
阀瓣 Disc	1.4408			1.4306			1.4301				
阀杆 Stem	1.4408			1.4306			1.4301				
阀瓣密封面 Wedge disc sealing face	1.4408	1.4408	STL	1.4306	1.4306	STL	1.4301	1.4301	STL		
阀座密封面 Seat ting sealing face	1.4408	STL	STL	1.4306	STL	STL	1.4301	STL	STL		



主要外形和连接尺寸 Main External and Connection Dimension

压力等级 Pressure(MPa)		PN1.6MPa															
口径 Size	mm	15	20	25	32	40	50	65	80	100	125	150	200	250	300	350	400
L		130	150	160	180	200	230	290	310	350	400	450	600	730	850	980	1100
H		240	260	276	285	300	305	354	402	437	496	541	699	815	914	1189	1350
W		120	140	160	160	180	200	200	750	250	300	350	400	450	500	550	600
重量(kg)Weight		8	10	12	16	17	20	30	38	56	75	100	182	278	398	500	618

主要外形和连接尺寸 Main External and Connection Dimension

压力等级 Pressure(MPa)		PN6.4MPa															
口径 Size	mm	15	20	25	32	40	50	65	80	100	125	150	200	250	300	350	400
L		130	150	160	180	200	230	340	380	430	500	550	650	775	900	1025	1150
H		240	260	276	285	300	305	354	402	437	496	541	699	815	914	1189	1350
W		120	140	160	160	180	200	200	750	250	300	350	400	450	500	550	600
重量(kg)Weight		8	10	12	16	17	20	30	38	56	75	100	182	278	398	500	618

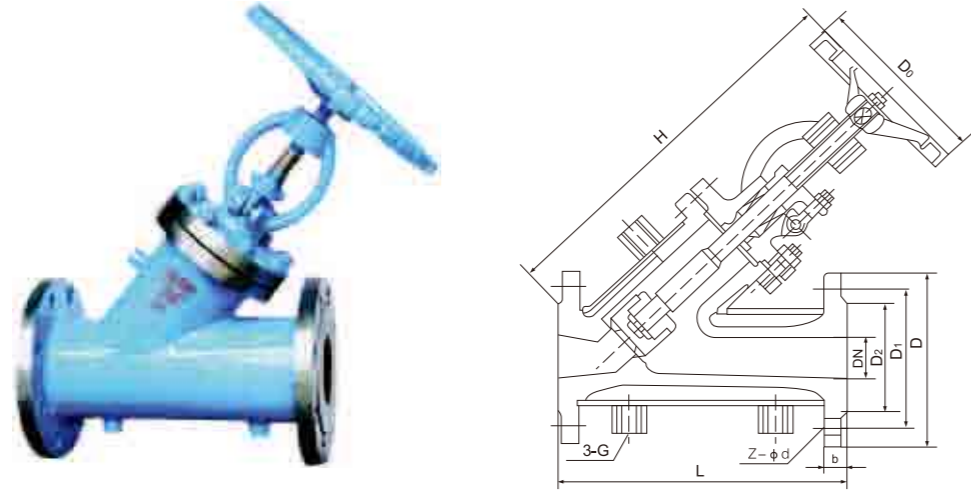
压力等级 Pressure(MPa)		PN2.5MPa															
口径 Size	mm	15	20	25	32	40	50	65	80	100	125	150	200	250	300	350	400
L		130	150	160	180	200	230	290	310	350	400	450	600	730	850	980	1100
H		240	260	276	285	300	325	363	415	453	505	556	744	864	948	1269	1450
W		120	140	160	160	180	200	200	250	300	350	400	450	500	550	600	600
重量(kg)Weight		8	10	12	16	17	20	30	39	58	80	101	190	290	405	510	650

压力等级 Pressure(MPa)		PN10.0MPa															
口径 Size	mm	15	20	25	32	40	50	65	80	100	125	150	200	250	300	350	400
L		130	150	160	180	200	300	340	380	450	500	550	650	775	900	1025	1250
H		240	260	276	285	300	325	363	415	453	505	556	744	864	948	1269	1450
W		120	140	160	160	180	200	200	250	300	350	400	450	500	550	600	600
重量(kg)Weight		8	10	12	16	17	20	30	39	58	80	101	190	290	405	510	650

压力等级 Pressure(MPa)		PN4.0MPa															
口径 Size	mm	15	20	25	32	40	50	65	80	100	125	150	200	250	300	350	400
L		130	150	160	180	200	230	290	310	350	400	450	600	730	850	980	1100
H		240	260	276	285	300	325	363	430	480	532	589	783	888	965	1285	1512
W		120	140	160	160	180	200	200	250	300	350	400	450	500	550	600	600
重量(kg)Weight		8	10	12	16	17	22	31	41.5	61	83	110	210	318.5	430	520	680

压力等级 Pressure(MPa)		PN16.0MPa															
口径 Size	mm	15	20	25	32	40	50	65	80	100	125	150	200	250	300	350	400
L		130	150	160	180	200	300	340	380	450	500	550	650	775	900	1025	1250
H		240	260	276	285	300	325	370	430	480	532	589	783	888	965	1285	1512
W		120	140	160	160	180	200	200	250	300	350	400	450	500	550	600	600
重量(kg)Weight		8	10	12	16	17	22	31	41.5	61	83	110	210	318.5	430	520	680





主要外形和连接尺寸 Main External and Connection Dimension

单位Unit:mm

公称通径 DN	PN2.5/4.0MPa							G	H	D0	WT (Kg)
	L	D	D1	D2	D6	b	Z-φd				
BJ45H-25 BJ45Y-25P BJ45Y-25R BJ45Y-25R3											
15	200	105	75	55	-	16	4-φ14	1/2"	210	120	15
20	220	115	85	65	-	16	4-φ14	1/2"	240	140	21
25	220	135	100	78	-	18	4-φ18	1/2"	250	160	25
32	250	145	110	85	-	18	4-φ18	1/2"	270	160	30
40	270	160	125	100	-	20	4-φ18	1/2"	310	160	36
50	300	180	145	120	-	22	8-φ18	3/4"	330	240	40
65	350	195	160	135	-	22	8-φ18	3/4"	360	240	54
80	380	230	190	160	-	24	8-φ23	3/4"	400	280	70
100	430	270	220	188	-	28	8-φ25	1"	480	320	100
125	490	300	250	218	-	30	8-φ25	1"	550	360	130
150	570	330	280	248	-	32	12-φ25	1"	620	300	170
200	690	395	340	302	-	36	12-φ30	1"	750	400	250
BJ45H-40 BJ45Y-40P BJ45Y-40R BJ45Y-40R3											
15	200	105	75	55	51	16	4-φ14	1/2"	210	120	18
20	220	115	85	65	58	16	4-φ14	1/2"	240	140	21
25	220	135	100	78	66	18	4-φ18	1/2"	250	160	25
32	250	145	110	85	76	18	4-φ18	1/2"	270	160	33
40	270	160	125	100	88	20	4-φ18	1/2"	310	160	41
50	300	180	145	120	110	22	8-φ18	3/4"	330	240	45
65	350	195	160	135	121	22	8-φ18	3/4"	360	240	62
80	380	230	190	160	150	24	8-φ23	3/4"	400	280	80
100	430	270	220	188	176	28	8-φ25	1"	480	320	100
125	490	300	250	218	204	30	8-φ25	1"	550	360	130
150	570	350	295	258	234	34	12-φ30	1"	620	360	185
200	690	415	355	315	287	40	12-φ34	1"	750	400	168